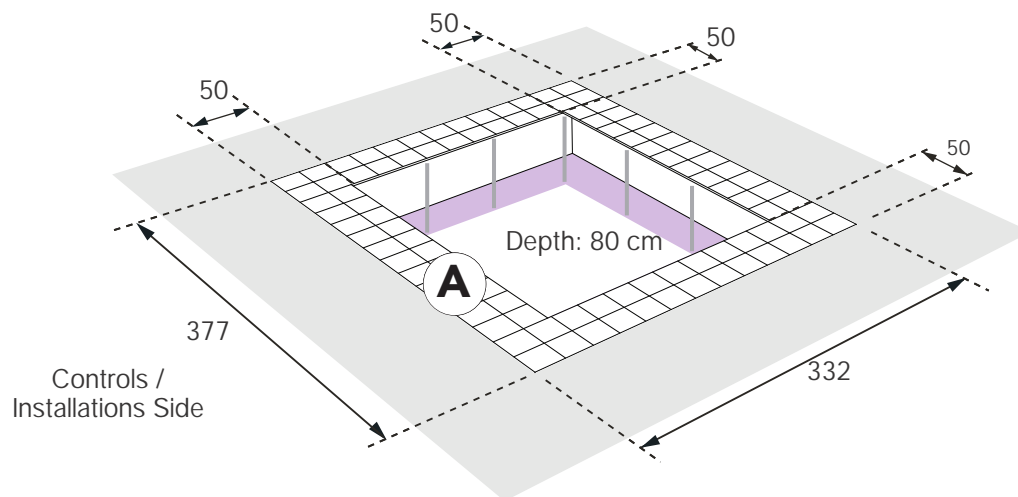


# Zen Spa Pro

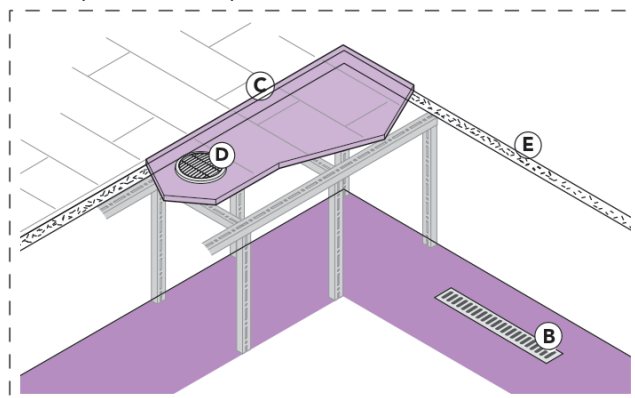
Built-In Installation

aquatica®

Function : Form : Fashion



## A Inspection Compartment Details



- A** Perimetric inspection compartment of 50cm with removable floor
- B** Internal drainage grates
- C** Non-slip flooring
- D** n°2 Ø15 cm vents to ensure proper ventilation of the technical compartment
- E** Insulation: prevents damage from freezing and condensation

# Zen Spa Pro

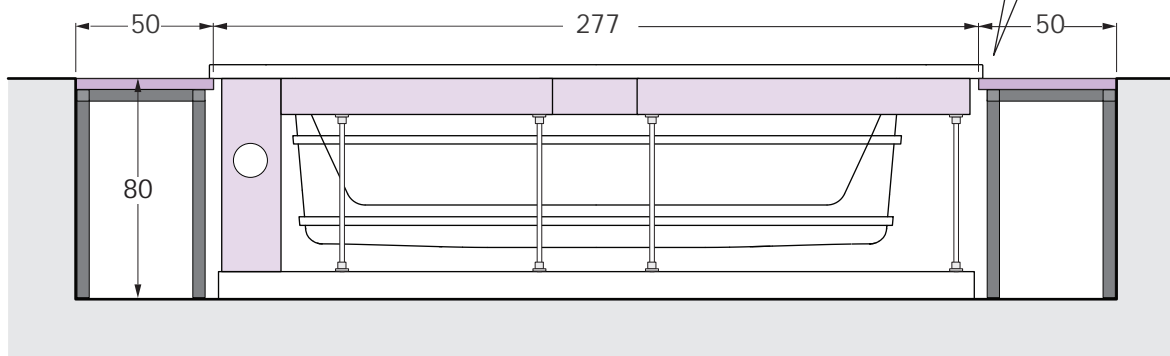
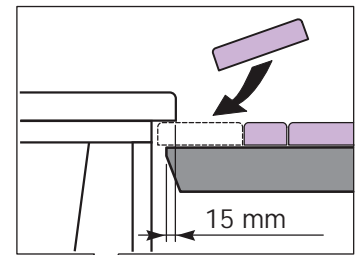
Built-In Installation

aquatica®

Function : Form : Fashion

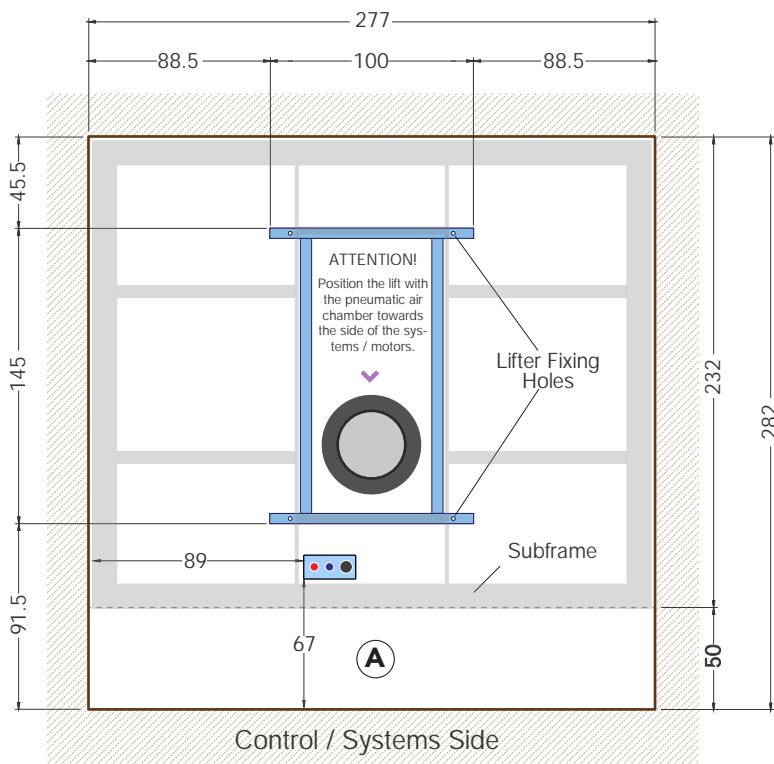
NB: we recommend to let the spa discharge its weight on the base and not on the edges.

We advice to fix the last line of tiles near the edge once the installation is finished, the result will be a good match between the spa and the covering.



*The manufacturer reserves the right to make any necessary technical alterations to the product without prior notice of replacement*

## Built-In Installation With Elevator



To provide the lifter on the ground up after the excursion test with the counter frame only.

- QE
- AF
- SC

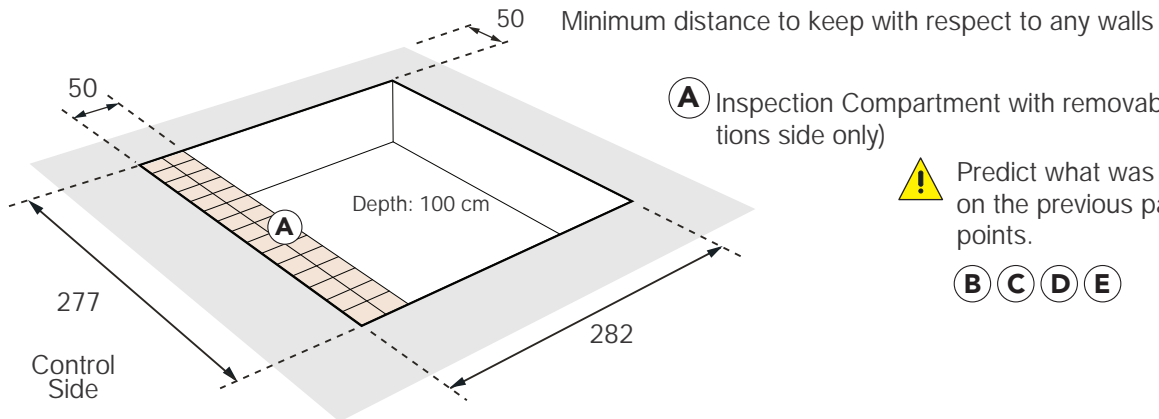
The installation with lifter is in the center of the room, no side can be placed against the wall, a minimum distance of 50cm must be maintained.


# Zen Spa Pro

Built-In Installation With Elevator

aquatica®

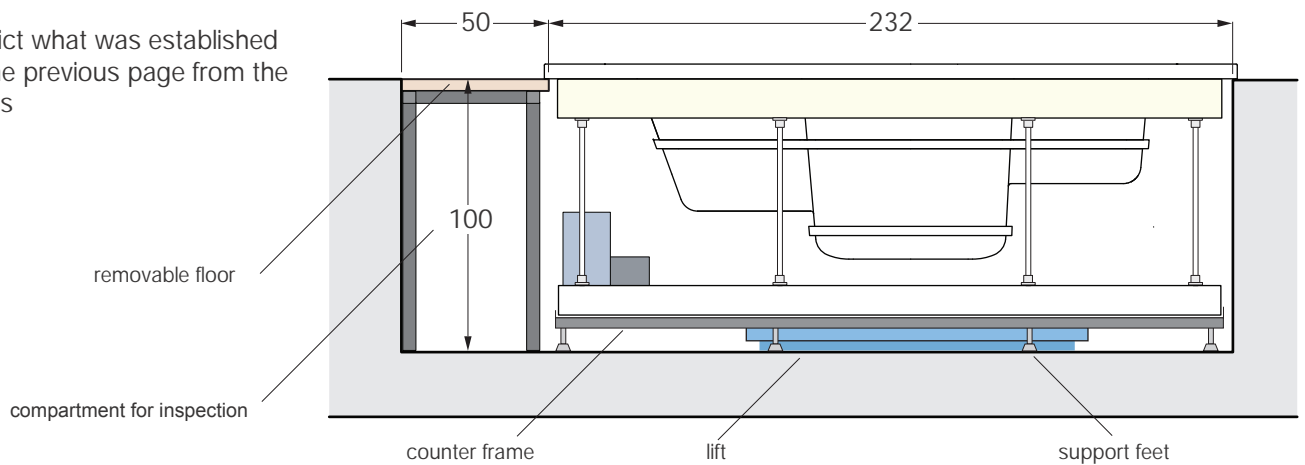
Function : Form : Fashion



 Predict what was established on the previous page from the points.

(B) (C) (D) (E)

Predict what was established on the previous page from the points



*The manufacturer reserves the right to make any necessary technical alterations to the product without prior notice of replacement*

